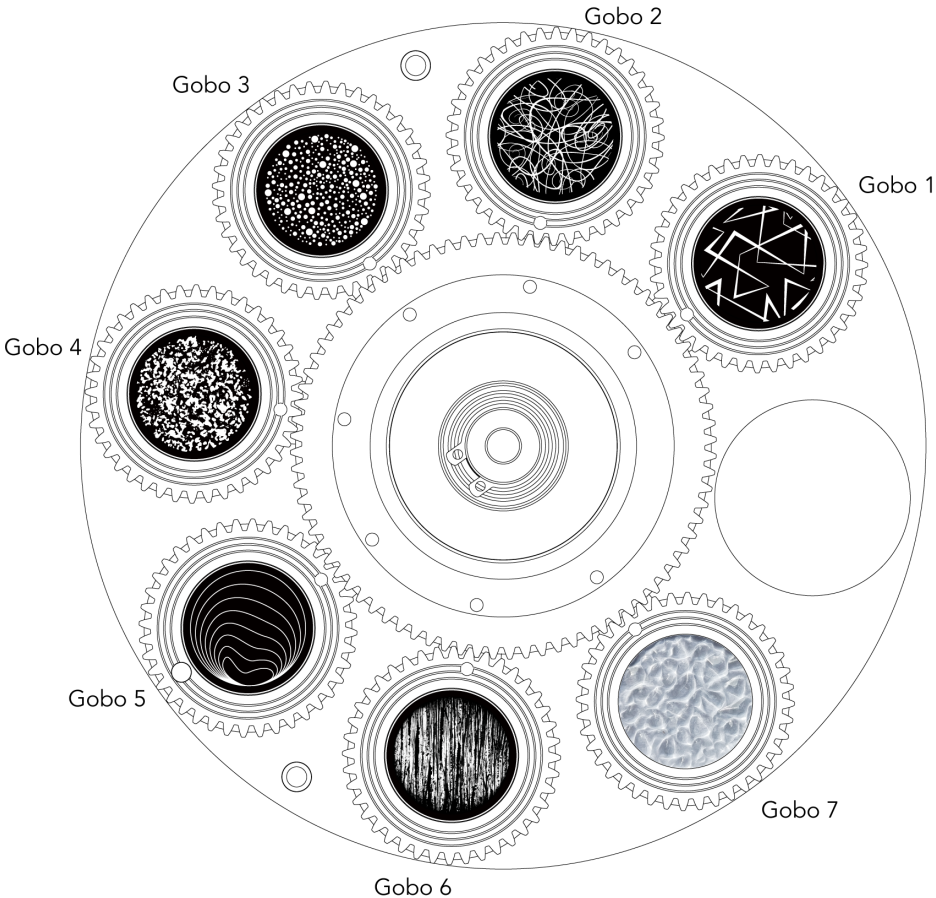
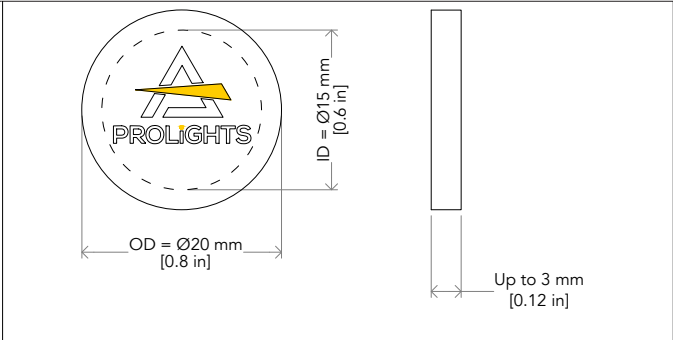


# ROTATING GOBOS WHEEL

Gobo dimensions:

- $\varnothing$  external (OD)= 20,0 mm
- $\varnothing$  of image (ID)= 15,0 mm
- Thickness= up to 3 mm



**ATTENTION!** Load with mirror surface toward the light source.