



Astra Profile300LTIP

IP65 300W Moving Profile,
with 6500K LED source, 4° - 44° zoom



USER MANUAL

Thank you for choosing PROLIGHTS

Please note that every PROLIGHTS product has been designed in Italy to meet quality and performance requirements for professionals and designed and manufactured for the use and application as shown in this document.

Any other use, if not expressly indicated, could compromise the good condition/operation of the product and/or be a source of danger.

This product is meant for professional use. Therefore, commercial use of this equipment is subject to the respectively applicable national accident prevention rules and regulations.

Features, specifications and appearance are subject to change without notice. Music & Lights S.r.l. and all affiliated companies disclaim liability for any injury, damage, direct or indirect loss, consequential or economic loss or any other loss occasioned by the use of, inability to use or reliance on the information contained in this document.

Product user manual can be downloaded from the website www.prolights.it, or can be inquired to the official PROLIGHTS distributors of your territory (https://www.prolights.it/sales_network.html).

Scanning the below **QR Code**, you will access the download area of the product page, where you can find a broad set of always updated technical documentation: specifications, user manual, technical drawings, photometrics, personalities, fixture firmware updates.



**Visit the download area
of the product page**



The PROLIGHTS Logo, PROLIGHTS names and all other trademark in this document pertaining to PROLIGHTS services or PROLIGHTS product are trademarks OWNED or licensed by Music & Lights S.r.l., its affiliates, and subsidiaries. PROLIGHTS is a registered trademark by Music & Lights S.r.l. All right reserved. Music & Lights – Via A. Olivetti, snc - 04026 - Minturno (LT) ITALY.

INDEX

SAFETY INFORMATION	02
1 - PACKAGING	05
PACKAGE CONTENT	05
OPTIONAL ACCESSORIES	05
2 - TECHNICAL DRAWING	05
3 - PAN AND TILT LOCK	06
4 - INSTALLATION	07
MOUNTING	07
5 - CONNECTION TO THE MAINS SUPPLY	08
6 - START UP	08
CONNECT AND DISCONNECT POWER FROM THE PRODUCT	08
7 - PRODUCT OVERVIEW	09
8 - DMX CONNECTION	10
CONNECTION OF THE CONTROL SIGNAL: DMX LINE	10
INSTRUCTIONS FOR A RELIABLE DMX CONNECTION	10
CONNECTION DAISY CHAIN	10
CONNECTION OF THE DMX LINE	10
CONSTRUCTION OF THE DMX TERMINATION	11
DMX ADDRESSING	11
9 - CONTROL PANEL	12
DISPLAY AND BUTTONS LAYOUT	12
10 - MENU STRUCTURE	13
DIMMER CURVES	18
DIMMER SPEEDS	19
11 - SHORTCUT	19
12 - RDM FUNCTIONS	20
13 - DMX CHARTS	21
RDM Personality ID List	21
RDM Model ID	21
BLADES BEHAVIOUR	23
FOCUS TRACKING	23
14 - ROTATING GOBOS WHEEL	33
15 - COLOR WHEEL	34
16 - ANIMATION WHEEL	35
17 - ERROR MESSAGES	36
18 - PERIODICAL CLEANING	39
19 - GOBOS REPLACEMENT	40
20 - MODULE REMOVAL (ANIMATION, COLOR, GOBOS WHEEL)	41
21 - MAINTENANCE	42
MAINTENANCE AND CLEANING THE PRODUCT	42
VISUAL CHECK OF PRODUCT HOUSING	42
RESETTING THE MAINTENANCE TIME MESSAGE	43

SAFETY INFORMATION



WARNING!

- See <https://www.prolights.it/product/ASTRAPROF300LTIP#download> for installation instructions.
- Please read carefully the instruction reported in this section before installing, powering, operating or servicing the product and observe the indications also for its future handling.



This unit is not for household and residential use, only professional applications.



Connection to mains supply

- The Connection to the mains supply must be carried out by a qualified electrical installer.
- Use only AC supplies 100-240V 50-60 Hz, the fixture must be electrically connected to ground (earth).
- Select the cable cross section in according with the maximum current draw of the product and the possible number of products connected at the same power line.
- The AC mains power distribution circuit must be equipped with magnetic+residual current circuit breaker protection.
- Do not connect it to a dimmer system; doing so may damage the product.
- The product has XLR sockets for DMX input and output.
- Connection of the control signal: DMX LINE.
- Notice: this control circuit is not isolated.
- Cumulative leakage current of less than 3.5mA on the control circuit.



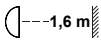
Protection and Warning against electrical shock

- Do not remove any cover from the product, always disconnect the product from AC power before servicing.
- Ensure that the fixture is electrically connected to ground (earth). And use only a source of AC power that complies with local building and electrical codes and has both overload and ground-fault (earth-fault) protection.
- Before using the fixture, check that all power distribution equipment and cables are in perfect condition and rated for the current requirements of all connected devices.
- Isolate the fixture from power immediately if the power plug or any seal, cover, cable, or other components are damaged, defective, deformed or showing signs of overheating.
- Do not reapply power until repairs have been completed.
- Refer any service operation not described in this manual to PROLIGHTS Service team or an authorized PROLIGHTS service center.



Installation

- Make sure that all visible parts of the product are in good visible condition before its use or installation.
- Make sure the point of anchorage is stable before positioning the projector.
- When suspending the fixture above ground level, secure it against failure of primary attachments by attaching a safety cable that is approved as a safety attachment for the weight of the fixture to the attachment point on the main frame of the product. In case the safety cable, enter in action, it needs to be replaced with a new one.
- Install the product only in well ventilated places.
- For non temporary installations, ensure that the fixture is securely fastened to a load-bearing surface with suitable corrosionresistant hardware.
- For a temporary installation with clamps, ensure that the quarter-turn fastener and/or screws are turned fully, and secured with a suitable safety cable.



Minimum distance of illuminated objects

- The projector needs to be positioned so that the objects hit by the beam of light are at least 1.6 meters (5.25 ft) from the lens of the projector.

T_a 45 °C

Max operating ambient temperature (T_a)

- Do not operate the fixture if the ambient temperature (T_a) exceeds 45 °C (113 °F).

T_a -20 °C

Minimum operating ambient temperature (T_a)

- Do not operate the fixture if the ambient temperature (T_a) is below -20 °C (-4 °F).



Protection from burns and fire

- The exterior of the fixture becomes hot during use. Avoid contact by persons and materials.
- Ensure that there is free and unobstructed airflow around the fixture.
- Keep flammable materials well away from the fixture
- Do not expose the front glass to sunlight or any other strong light source from any angle. Lenses can focus the sun's rays inside the fixture, creating a potential fire hazard.
- Do not attempt to bypass thermostatic switches or fuses.

IP65

Permanent Outdoor use

- This product is rated with an IP (Ingress protection) for permanent outdoor use when used and serviced according to the instruction contained in this document.
- Never use the fixture in places subject to vibrations or bumps.
- Make certain that no inflammable liquids, water or metal objects enter the fixture.
- Excessive dust, smoke fluid, and particle build up degrades performance, causes overheating and will damage the fixture.
- Damages caused by inadequate cleaning or maintenance are not covered by the product warranty.

T_c 63,2 °C

Temperature of the external surface

- The surface of the fixture can reach up to 63,2 °C (145,8 °F) during operation. Avoid contact with people and materials.



Maintenance

- Warning! Disconnect the fixture from AC mains power and allow to cool for at least 10 minutes before handling.
- Only technicians who are authorized by PROLIGHTS or Authorised service partners are permitted to open the fixture.
- Users may carry out external cleaning, following the warnings and instructions provided, but any service operation not described in this manual must be referred to a qualified service technician.
- Important! Excessive dust, smoke fluid, and particle build up degrades performance, causes overheating and will damage the fixture. Damages caused by inadequate cleaning or maintenance is not covered by the product warranty.



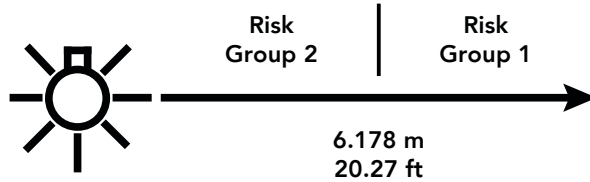
Photobiological safety

- This device emits potentially dangerous optical radiation and is identified in the category of Risk Group 2 according to EN 62471.



Do not stare at the operating light source

- Do not look directly at the LED source during operation. It can be harmful to the eyes and skin.
- During Installation, operation and maintenance, be prepared for the fixture to light and move suddenly when connected to power.
- The device should be positioned so that prolonged staring into the luminaire at a distance closer than 6,178 m (20,27 ft) is not expected.



Disposal

- This product is supplied in compliance with European Directive 2012/19/EU – Waste Electrical and Electronic Equipment (WEEE). To preserve the environment please dispose/ recycle this product at the end of its life according to the local regulation.



The products to which this manual refers comply with:

- 2014/35/EU - Safety of electrical equipment supplied at low voltage (LVD).
- 2014/30/EU - Electromagnetic Compatibility (EMC).
- 2011/65/EU - Restriction of the use of certain hazardous substances (RoHS).



FCC Compliance:

- This device complies with Part 15 of the FCC Rules. Operation is subject to the following two conditions:
 1. This device may not cause harmful interference, and
 2. This device must accept any interference received, including interference that may cause undesired operation.



Other approvals

- The product meets the safety requirements of the certification procedures of the market in which it is placed and sold.

1 - PACKAGING

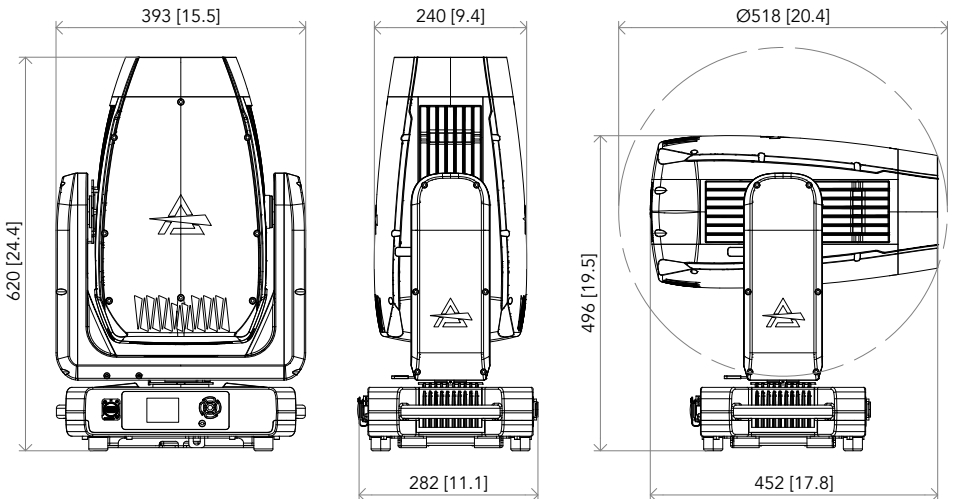
PACKAGE CONTENT

- 1x ASTRAPROF300LTIP.
- 1x 1,5 meters power cable (BARE END - NEUTRIK POWERCON TRUE1 IP65).
- 2x OSIPPLUS, Quick-lock omega bracket.
- User Manual.

OPTIONAL ACCESSORIES

Check the updated accessories list, description and informations of the product at the following link:
<https://www.prolights.it/product/ASTRAPROF300LTIP#accessories>

2 - TECHNICAL DRAWING

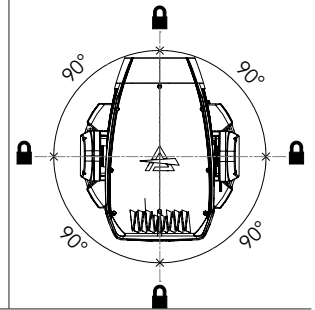
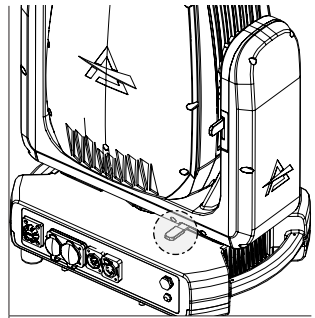
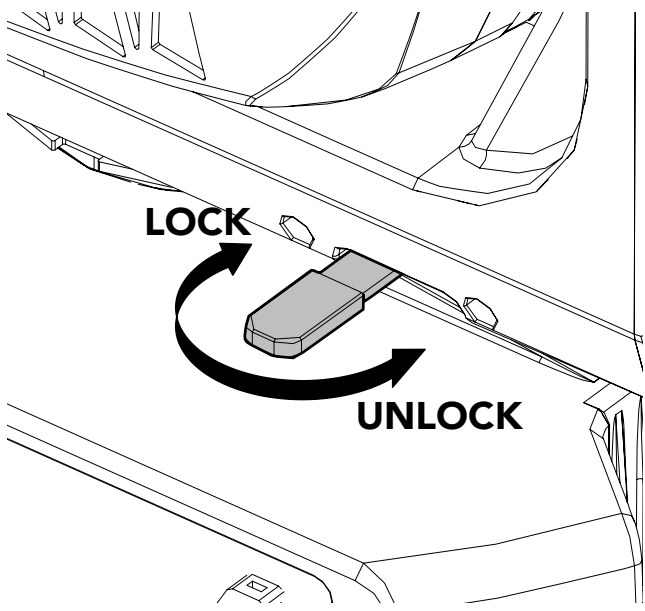


Weight: 26 kg - 57,32 lbs

Fig. 01

3 - PAN AND TILT LOCK

PAN Mechanism lock and release



TILT Mechanism lock and release

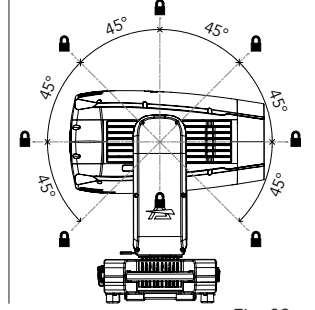
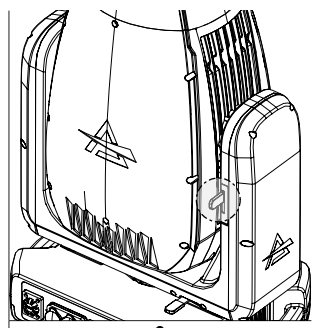
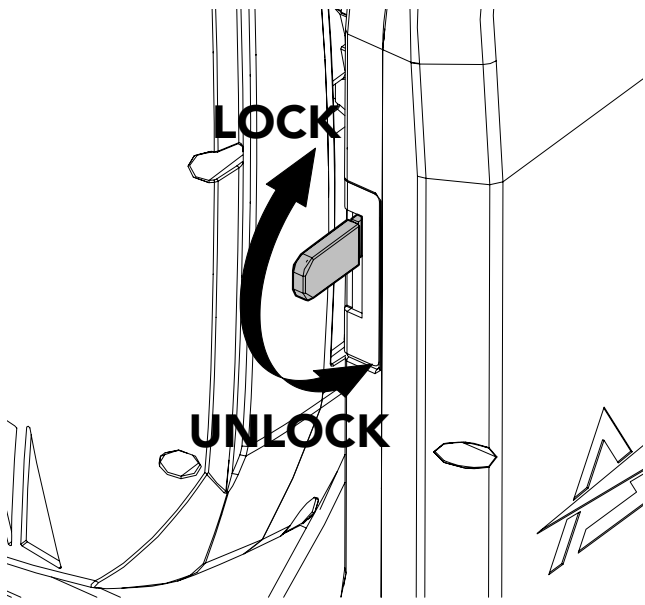


Fig. 02

4 - INSTALLATION

MOUNTING

Check that the supporting structure can safely bear the weight of all installed fixtures, clamps, cables, auxiliary equipment, etc. and complies with locally applicable regulations.

When suspending the fixture above ground level, secure it against failure of primary attachments by attaching a safety wire that is approved as a safety attachment for the weight of the fixture to an anchor point on the product main frame.

Do not use removable parts or weak anchors for secondary attachment.

Warning! When clamping the fixture to a truss or other structure at any angle, use clamps of half-coupler type. Do not use any type of clamp that does not completely encircle the structure when fastened.

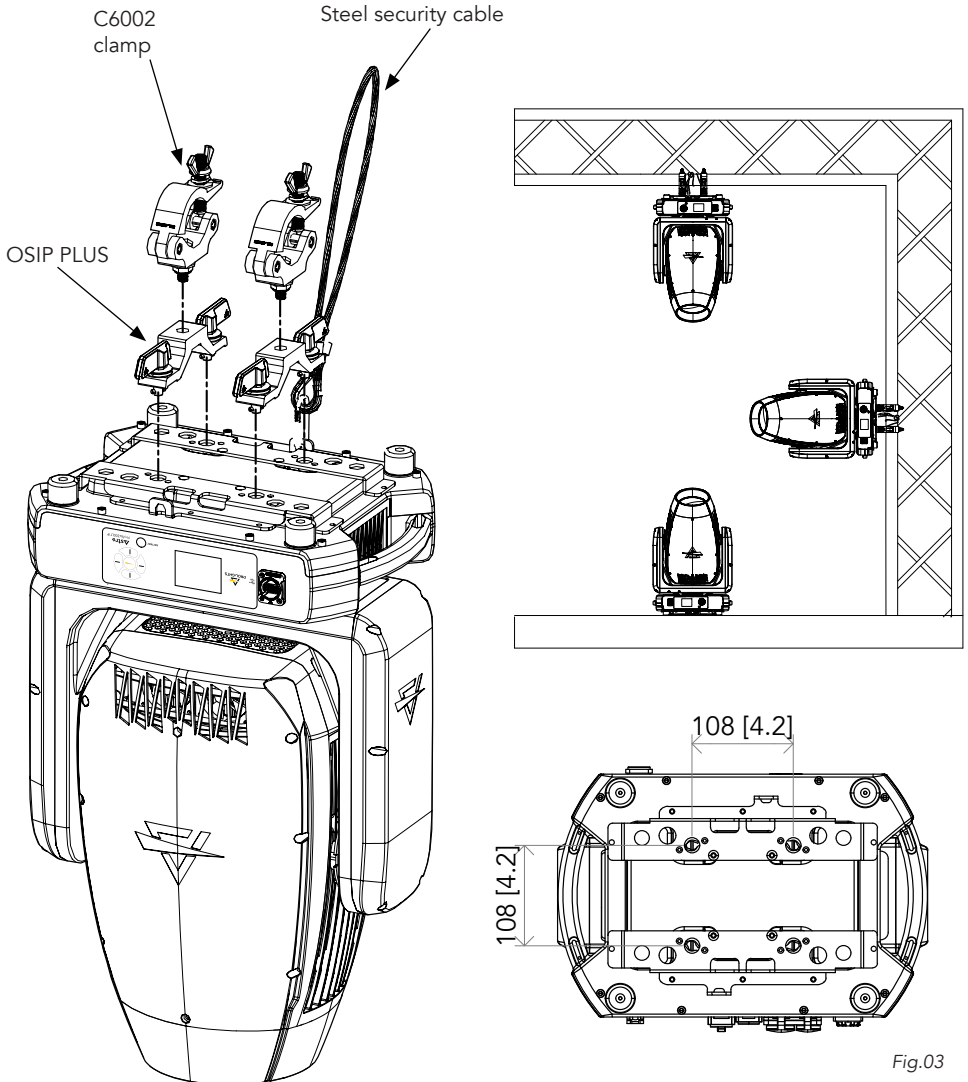


Fig.03


5 - CONNECTION TO THE MAINS SUPPLY

WARNING: For protection from electric shock, the fixture must be earthed!

The product is equipped with auto-switching power supply that automatically adjusts to any 50-60Hz AC power source from 100-240 Volts (max absolute range : 90- 264V).

If you need to install a power plug on the power cable to allow connection to power outlets, install a grounding-type (earthed) plug, following the plug manufacturer's instructions. If you have any doubts about proper installation, consult a qualified electrician.

The max power consumption is 491W.

Core (EU)	Core (US)	Connection	Plug terminal marking
Brown	Black	Live	L
Blue	White	Neutral	N
Yellow+green	Green	Earth	

6 - START UP

CONNECT AND DISCONNECT POWER FROM THE PRODUCT

To apply and disconnect power to the product:

- Check that the product is installed and secured as indicated in the Safety Informations, and that personal safety will not be put at risk when the fixture lights up;
- Connect the power connector into the Mains input socket (100-240 VAC-50/60 Hz);
- The product is then ready for its operations and can be controlled through the available input signals on board;
- To disconnect power from the product, disconnect the Mains from the socket.

7 - PRODUCT OVERVIEW

1. USB PORT for quick firmware upgrade;
2. USER INTERFACE with display and buttons for access to the control panel functions;
3. HOLE for ANTENNA (Optional - code: LRTFXWK2);
4. GORE VALVE;
5. BATTERY HOLDER;
6. POWER IN/OUT: for connection to the Mains 100-240V~/50-60Hz;
7. DMX IN/OUT (5-p XLR): 1 = GND, 2 = sign-, 3 = sign+, 4 N/C, 5 N/C;
8. SAFETY EYES: to attach safety cable.

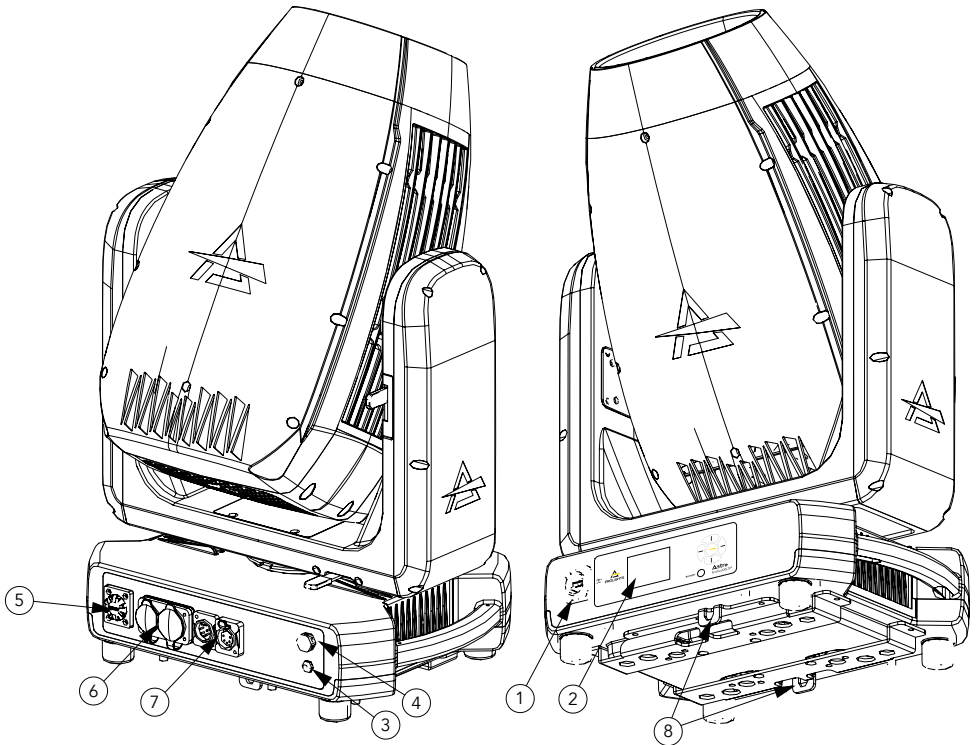


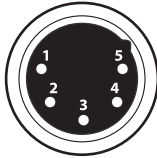
Fig 04

8 - DMX CONNECTION

CONNECTION OF THE CONTROL SIGNAL: DMX LINE

The product has XLR sockets for DMX input and output.
The default pin-out on both socket is as the following diagram:

DMX - INPUT XLR plug



- Pin1 : GND - Shield
- Pin2 : - Signal
- Pin3 : + Signal
- Pin4 : N/C
- Pin5 : N/C

DMX - OUTPUT XLR socket

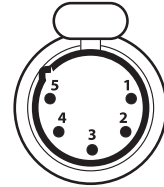


Fig. 05

INSTRUCTIONS FOR A RELIABLE DMX CONNECTION

Use shielded twisted-pair cable designed for RS-485 devices: standard microphone cable cannot transmit control data reliably over long runs. 24 AWG cable is suitable for runs up to 300 meters (1000 ft). Heavier gauge cable and/or an amplifier is recommended for longer runs.
To split the data link into branches, use splitter-amplifiers in the connection line.
Do not overload the link. Up to 32 devices may be connected on a serial link.

CONNECTION DAISY CHAIN

Connect the DMX data output from the DMX source to the product DMX input (male connector XLR) socket.
Run the data link from the product XLR output (female connector XLR) socket to the DMX input of the next fixture.
Terminate the data link by connecting a 120 Ohm signal termination. If a splitter is used, terminate each branch of the link.
Install a DMX termination plug on the last fixture on the link.

CONNECTION OF THE DMX LINE

DMX connection employs standard XLR connectors. Use shielded pair-twisted cables with 120Ω impedance and low capacity.
The following diagram shows the connection mode:

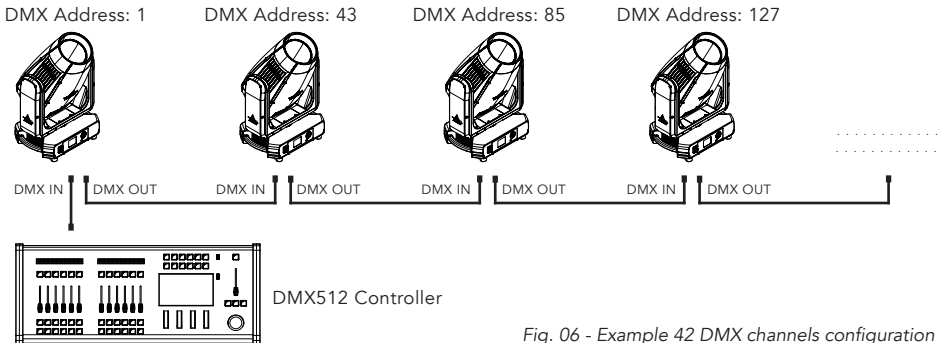


Fig. 06 - Example 42 DMX channels configuration

CONSTRUCTION OF THE DMX TERMINATION

The termination is prepared by soldering a 120Ω 1/4 W resistor between pins 2 and 3 of the male XLR connector, as shown in figure.

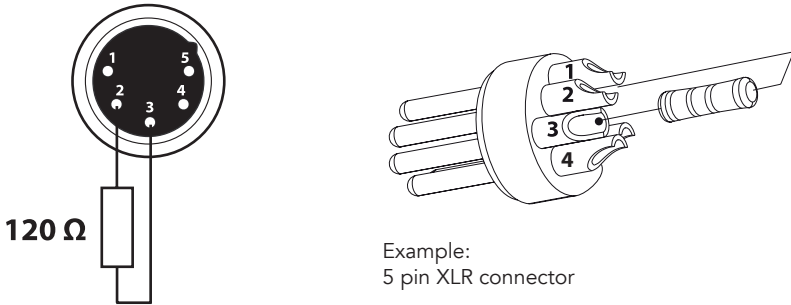


Fig. 07

DMX ADDRESSING

In order to start controlling the product via DMX, the first step is to select a DMX address, also known as the start channel, this is the first channel used to receive instructions from a DMX controller. If you wish to control the product individually, it is necessary to assign a different starting address channel to each fixture.

The number of channels occupied from the product depends on the DMX mode selected, so always verify the DMX Mode in the MENU before start addressing.

If you assign two fixtures the same address, they will be executing the same behaviour. Selecting the same address to multiple fixtures can be useful for diagnostic purposes and symmetrical control.

DMX addressing is limited to make it impossible to set the DMX address so high that you are left without enough control channels for the product.

To set the fixture's DMX address:

1. Press ENTER to open the main menu;
2. Reach the addressing menu, then select the DMX ADDRESS settings;
3. Select the address from 1 to 512 using the navigation arrows/buttons and confirm by pressing ENTER;
4. Press Menu to exit and return to the Home screen.

9 - CONTROL PANEL

The product has a display and buttons for access to the control panel functions.

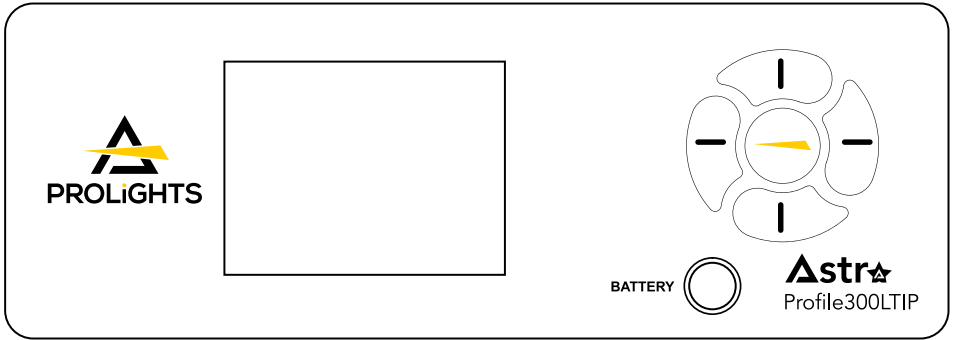


Fig. 08

DISPLAY AND BUTTONS LAYOUT

The product has a display and buttons for access to the control panel functions:

	1		<ul style="list-style-type: none"> Browse upwards through the menu list and increases the numeric value displayed.
	2		<ul style="list-style-type: none"> Scroll from left to right when entering numerical values, switching between hundreds, tens and units
	3		<ul style="list-style-type: none"> Browse downwards through the menu list and decreases the numeric value displayed.
	4		<ul style="list-style-type: none"> Return to the top level, or scroll from right to left when entering numerical values, switching between units, tens and hundreds
	5		<ul style="list-style-type: none"> Used to confirm the displayed value, or activate the displayed function or to access the menu tree or to return a previous menu window.
		<ul style="list-style-type: none"> Switch on the display using backup battery. Hold for 5s. Switch off display by pressing button 4 for 5s while on being on Home screen. 	

10 - MENU STRUCTURE

The following chart describes the MENU tree of the product, the terms shown in **BOLD** indicates the default settings.

MENU: CONNECT

LEVEL 1	LEVEL 2	LEVEL 3	LEVEL 4	LEVEL 5	DESCRIPTION	
DMX ADDRESS	DMX / CRMX	1-512			Set DMX Address for Main fixture	
	SACN					
	ARTNET					
DMX MODE	STANDARD					
WIRELESS (Optional)	CRMX ON/OFF	ON			Enable the wireless card.	
		OFF				
	CRMX MODE	TX CRMX				Allows configuration of the wireless card as either a Transmitter or Receiver. G4s and G3 are supported protocols for connection with Wireless Solution products.
		TX G4S				
		TX G3				
		RX				
	TX LINK	ON				Enables the transmission link when the unit is set as a Transmitter.
		OFF				
	TX UNLINK	ON				Disconnects the transmitter from all connected receivers. TX Unlink can only be used when the unit is in Transmitter mode in CRMX settings.
		OFF				
	RX RESET	ON				Disconnects the CRMX card, set as a Receiver, from any connected transmitters.
		OFF				
	IN TO CRMX (TX)	ON				Enable/Disable the transmission of the DMX from the transmitter to the receiver via CRMX
OFF						
CRMX TO DMX (RX)	ON				Enable/Disable the retransmission of the DMX from the receiver to the other units connected by cable to the receiver itself	
	OFF					
LINK STRENGTH	** %				Insert 8 digit code RX Mode: Possible to choose mode and universe	
CRMX CARD VERSION	TimoFX: Vx.x.xx					

MENU: SETUP

LEVEL 1	LEVEL 2	LEVEL 3	LEVEL 4	LEVEL 5	DESCRIPTION	
SCREEN	BACKLIGHT	ALWAYS ON				
		15S				
	FLIP DISPLAY	AUTO				
		ON				
		OFF				
	KEY LOCK	ON				
		OFF				

MENU: SETUP

LEVEL 1	LEVEL 2	LEVEL 3	LEVEL 4	LEVEL 5	DESCRIPTION	
MOVEMENT	PAN REVERSE	YES				
		NO				
	TILT REVERSE	YES				
		NO				
	PAN/TILT MODE	FAST				
		MEDIUM				
SLOW						
DIMMER	DIMMER CURVE	LINEAR			Check pag.18 for further details	
		S-CURVE				
		SQUARE LAW				
		INVERSE SQUARE LAW				
	DIMMER SPEED	AUTO			Check pag.19 for further details	
		FAST				
		MEDIUM				
		SLOW				
FIXTURE	FAN MODE	AUTO				
		SILENT				
		HIGH				
	DMX FAULT	HOLD				
		BLACKOUT				
	STATUS LED	ON				
		OFF				
	INVERT ZOOM	ON			Invert zoom	
		OFF				
	INVERT BLADES	ON			Invert blades order (Hanged fixture have same blades order as on floor)	
		OFF				
	TRANSFER CONFIGURATION	WITHOUT DMX ADDRESS				
WITH DMX ADDRESS						

MENU: ADVANCED

LEVEL 1	LEVEL 2	LEVEL 3	LEVEL 4	LEVEL 5	DESCRIPTION
LED FREQUENCY	1000 Hz				
	2000 Hz				
	4000 Hz				
	6000 Hz				
	25 kHz				
	50 kHz				
RESET	ALL				
	PAN & TILT				
	ZOOM/FOCUS				
	COLORS				
	GOBOS / ANIMATION				
	EFFECTS				
	ALL BLADES				
MANUAL CONTROL	PAN				Manual Control of each functionality via display. If this function is accessed with a valid DMX signal present, values are taken from last DMX frame received. Signal is ignored while fixture stays in this menu. Timeout for screen is inhibited. No Auto-leave function.
	PAN FINE				
	TILT				
	TILT FINE				
	DIMMER				
	DIMMER FINE				
	SHUTTER				
	CYAN				
	MAGENTA				
	YELLOW				
	CTO				
	COLOR WHEEL 1				
	COLOR WHEEL 2				
	COLOR WHEEL 3				
	COLOR WHEEL 4				
	GOBO WHEEL 1				
	GOBO ROTATION 1				
	GOBO ROT FINE 1				
	PRISM 1				
	PRISM 1 ROTATION				
	PRISM 2				
	PRISM 2 ROTATION				
	FROST 1				
ZOOM					
ZOOM FINE					
FOCUS					

MENU: ADVANCED

LEVEL 1	LEVEL 2	LEVEL 3	LEVEL 4	LEVEL 5	DESCRIPTION
MANUAL CONTROL	FOCUS FINE				Manual Control of each functionality via display. If this function is accessed with a valid DMX signal present, values are taken from last DMX frame received. Signal is ignored while fixture stays in this menu. Timeout for screen is inhibited. No Auto-leave function.
	ANIMATION				
	ANIMATION ROTATION				
	BLADE 1 POSITON				
	BLADE 1 ROT				
	...				
	BLADE 4 POSITON				
	BLADE 4 ROT				
	FRAME ROT				
CONTROL					
RELOAD DEFAULT	BASIC RELOAD	YES			
		NO			
	FACTORY RELOAD (password 050)	YES			
		NO			

MENU: INFORMATIONS

LEVEL 1	LEVEL 2	LEVEL 3	LEVEL 4	LEVEL 5	DESCRIPTION
FIXTURE TIME	FIXTURE HOURS	TOTAL	<65535H>		View informations about product operating lifetime. Fixture Hours is countered based on general operation time. Hours are countered since Power is plugged in. Source Hours is countered based on LED Activity time.
		PARTIAL	<65535H>		
	CURRENT HOURS	TOTAL	<65535H>		
		PARTIAL	<65535H>		
	SOURCE HOURS	TOTAL	<65535H>		
		PARTIAL	<65535H>		
	POWER ON CYCLE	TOTAL	<65535H>		
		PARTIAL	<65535H>		
MAINTENANCE TIME	ELAPSED TIME				
	ALERT PERIOD	10 - 750			
POWER LED	...				Show estimated power to the LED source.
TEMPERATURE	NEAR SOURCE TEMP, DRIVER PCB TEMP, LED PCB TEMP,...				
FAN SPEED	NEAR SOURCE FAN, BASE FAN,...				Show all FAN speeds.
CHANNEL VALUE	PAN...				Show all Channel values as a list, value shown depends on DMX Mode
ERROR MESSAGE	PAN, TILT...				Show error message
DEVICE LABEL	ASTRAPROF300LTIP				Show RDM Label.
FIXTURE MODEL	ASTRAPROF300LTIP				Show RDM fixture model
RDM UID					Show RDM UID of the fixture.
SOFTWARE VERSION	1U01 V1.0.00...				Show firmware version of the fixture

DIMMER CURVES

Five dimming modes are available:

1. **LINEAR** - Light intensity increases proportionally to the DMX value, creating a linear perception;
2. **S-CURVE** - Light intensity is finer at low and high levels, with coarser control at mid-levels;
3. **SQUARE LAW** - Light intensity is finer at low levels and becomes coarser at higher levels;
4. **INVERSE SQUARE LAW** - Light intensity is coarser at low levels and finer at higher levels.

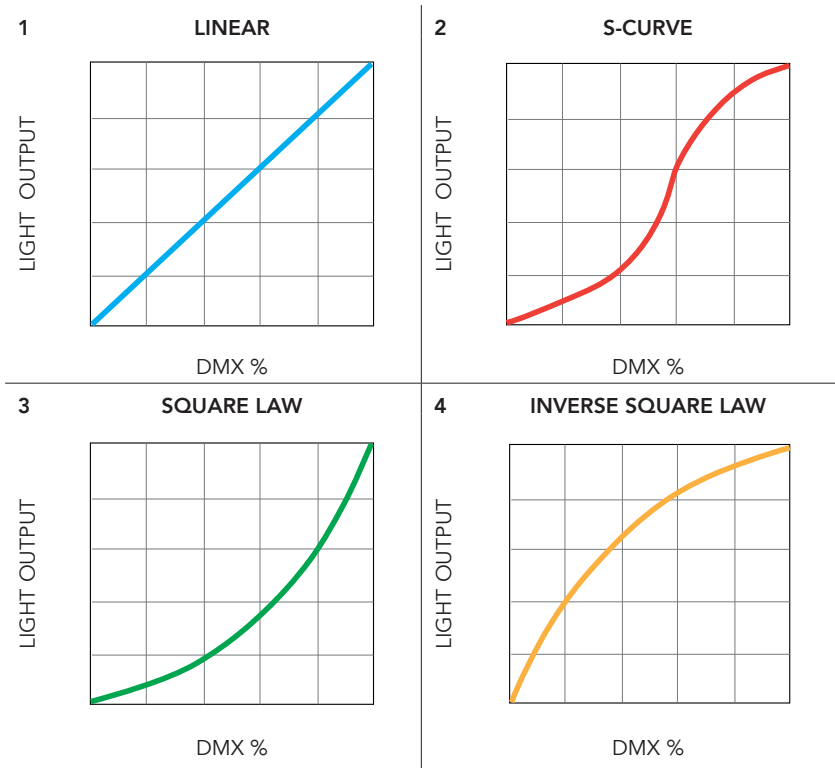


Fig. 09

DIMMER SPEEDS

Five dimming speeds are available:

1. **AUTO** - When the DMX value changes by more than 50 DMX values, the intensity will instantly adjust to the new value. For changes less than 50 DMX values, the fast dimming curve will be applied;
2. **FAST** - Indicates the fast speed dimming curve. Refer to the diagram for reference;
3. **MEDIUM** - Indicates the medium speed dimming curve. Refer to the diagram for reference;
4. **SLOW** - Indicates the slow dimming curve. Refer to the diagram for reference.

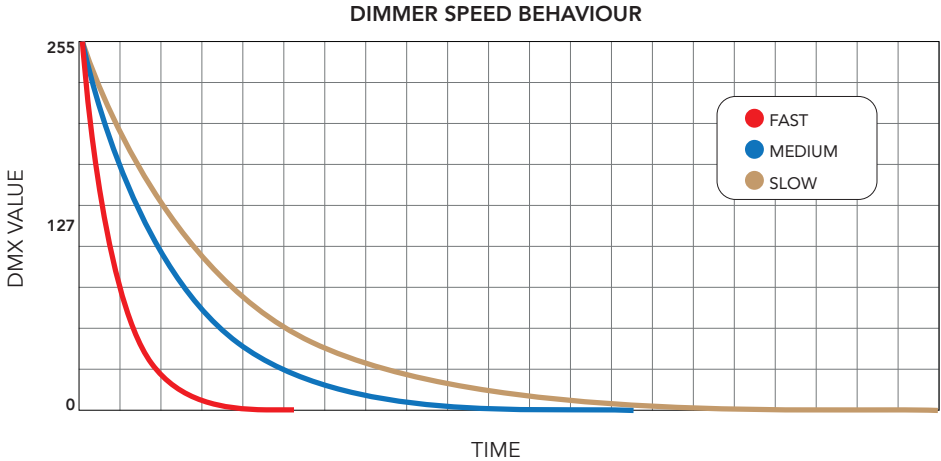


Fig.10

11 - SHORTCUT

Keys	Mode	Description
UP + DOWN after power on	Flip Display	Directly flip display without enter inside menu
DOWN then power on	Reset without pan/tilt movements	Fixture will be powered on without reset on pan/tilt movements
ENTER + UP then power on	Bootloader	Force firmware upgrade
CONTROL CHANNEL set to 220 + PAN FINE CHANNEL SET TO 255, within 3s PAN FINE need to be set to 0	Basic Reload	This Reload also reset DMX address and mode. This combination need to be performed while fixture is resetting

12 - RDM FUNCTIONS

The product can communicate using RDM (Remote Device Management) protocol over a DMX512 Networks.

RDM is a bi-directional communications protocol for use in DMX512 control systems, it is the open standard for DMX512 device configuration and status monitoring.

The RDM protocol allows data packets to be inserted into a DMX512 data stream without affecting existing non-RDM equipment. It allows a console or dedicated RDM controller to send commands to and receive messages from specific fixtures.

The PIDs in the following tables are supported in the product.

Category	Parameter	Value	GET	SET
Product Information	SUPPORTED_PARAMETERS	0x0050	x	
	DEVICE_MODEL_DESCRIPTION	0x0080	x	
	MANUFACTURER_LABEL	0x0081	x	
	DEVICE_LABEL	0x0082	x	x
DMX512 Setup	DMX_PERSONALITY	0x00E0	x	x
	DMX_PERSONALITY_DESCRIPTION	0x00E1	x	
	DMX_START_ADDRESS	0x00F0	x	x
Sensors	SENSOR_DEFINITION	0x0200	x	
	SENSOR_VALUE	0x0201	x	x
Dimmer Settings	CURVE	0x0343	x	x
	CURVE_DESCRIPTION	0x0344	x	x
	OUTPUT_RESPONSE_TIME	0x0345	x	x
	OUTPUT_RESPONSE_TIME_DESCRIPTION	0x0346	x	
	MODULATION_FREQUENCY	0x0347	x	x
	MODULATION_FREQUENCY_DESCRIPTION	0x0348	x	
Power/Lamp Settings	DEVICE_HOURS	0x0400	x	x
	LAMP_HOURS	0x0401	x	x
Configuration	PAN_INVERT	0x0600	x	x
	TILT_INVERT	0x0601	x	x

13 - DMX CHARTS

RDM Personality ID List

ID	DMX Mode	Footprint
1	STANDARD	42

RDM Model ID

0xA040

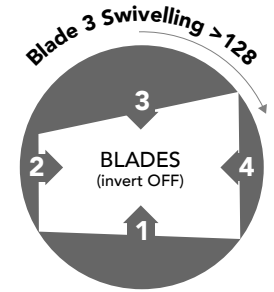
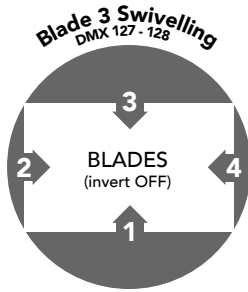
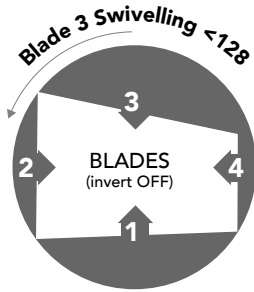
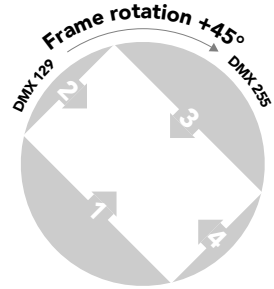
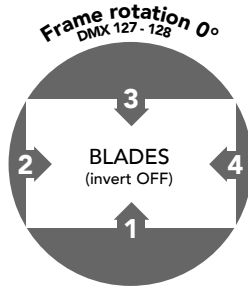
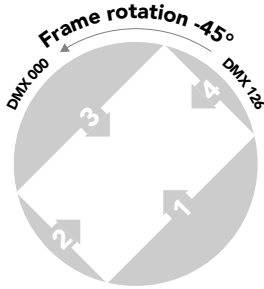
DMX Chart Summary

DMX MODE	Function
STANDARD 42ch	
1	Pan
2	Pan fine
3	Tilt
4	Tilt fine
5	Dimmer
6	Dimmer Fine
7	Shutter
8	Cyan
9	Magenta
10	Yellow
11	CTO
12	Color Wheel 1
13	Color Wheel 2
14	Color Wheel 3
15	Color Wheel 4
16	Rot Gobo Wheel
17	Gobo Rot
18	Gobo Rot Fine
19	Prism 1 Circular
20	Prism 1 Index/Rot
21	Prism 2 Linear
22	Prism 2 Index/Rot

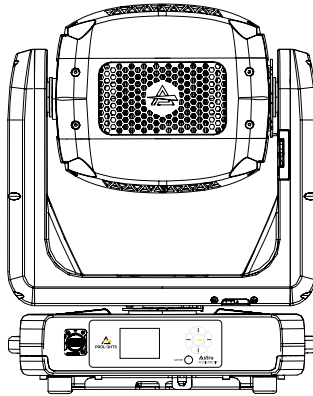
DMX MODE	Function
STANDARD 42ch	
23	Light Frost
24	Zoom
25	Zoom Fine
26	Focus
27	Focus Fine
28	Animation Insertion
29	Animation Rotation
30	Blade 1 position
31	Blade 1 swivelling
32	Blade 2 position
33	Blade 2 swivelling
34	Blade 3 position
35	Blade 3 swivelling
36	Blade 4 position
37	Blade 4 swivelling
38	Frame rotation
39	Frame macros
40	Frame macros speed
41	Focus Tracking
42	Control

BLADES BEHAVIOUR

Check Below image for all the informations about the profile module



PROJECTION ON THE WALL



Fixture with
CUSTOM HOME POSITION
and PAN/TILT channels @
PAN @50% - DMX128
TILT @ 84% - DMX 214

Fixture with
STANDARD HOME POSITION
and PAN/TILT channels @
PAN @50% - DMX 172
TILT @ 84% - DMX 214

Fig.13

FOCUS TRACKING

This function provides auto-adjustment of the focus during the zoom movement:

1. Select the function to be tracked via channel 41 ("Focus Tracking");
2. Focus the selected function at a narrow zoom (**NOTE: the zoom value must be less than 135**);
3. As you adjust the zoom, the focus will automatically follow, keeping the projection focused;
4. If you select a different function via channel 41 ("Focus Tracking"), the focus will automatically adjust to track the new selection.

Channel STANDARD	Name	Function	DMX		Default
			From	To	
1	Pan	Pan movement	0	255	128
2	Pan fine	Fine pan movement	0	255	0
3	Tilt	Tilt movement	0	255	128
4	Tilt fine	Fine tilt movement	0	255	0
5	Dimmer	Dimmer intensity 0 – 100%	0	255	0
6	Dimmer Fine	Fine dimming	0	255	0
7	Shutter	Open	0	1	0
		Strobe from slow to fast	2	62	
		Open	63	64	
		Pulse in from slow to fast	65	125	
		Close	126	127	
		Pulse out from slow to fast	128	188	
		Open	189	190	
		Randon from slow to fast	191	251	
		Open	252	255	
8	Cyan	Linear saturation 0 – 100%	0	255	0
9	Magenta	Linear saturation 0 – 100%	0	255	0
10	Yellow	Linear saturation 0 – 100%	0	255	0
11	CTO	Linear saturation 0 – 100%	0	255	0
12	Color Wheel 1	Color Linear Movement			0
		Open	0		
		Open + Dark Red	1	30	
		Dark Red	31		
		Dark Red + High Cri	32	61	
		High Cri	62		
		High Cri + Lavander	63	92	
		Lavander	93		
		Lavander + Cyan	94	123	
		Cyan	124	159	
		Color Slot			
		Open	160	167	
		Dark Red	168	175	
		High Cri	176	183	
		Lavander	184	191	
		Cyan	192	199	

Channel STANDARD	Name	Function	DMX		Default
			From	To	
12	Color Wheel 1	Color Wheel Rotation			0
		Forward rainbow - Fast to slow	200	224	
		No rotation	225	230	
		Backwards rainbow - Slow to fast	231	255	
13	Color Wheel 2	Color Linear Movement			0
		Open	0		
		Open + Dark Blue	1	30	
		Dark Blue	31		
		Dark Blue + Light Orange	32	61	
		Light Orange	62		
		Light Orange + Light Green	63	92	
		Light Green	93		
		Light Green + Magenta	94	123	
		Magenta	124	159	
		Color Slot			
		Open	160	167	
		Dark Blue	168	175	
		Light Orange	176	183	
		Light Green	184	191	
		Magenta	192	199	
		Color Wheel Rotation			
		Forward rainbow - Fast to slow	200	224	
		No rotation	225	230	
		Backwards rainbow - Slow to fast	231	255	
14	Color Wheel 3	Color Linear Movement			0
		Open	0		
		Open + Medium Blue	1	30	
		Medium Blue	31		
		Medium Blue + Aquamarine	32	61	
		Aquamarine	62		
		Aquamarine + Pink	63	92	
		Pink	93		
		Pink + Yellow	94	123	
		Yellow	124	159	

Channel STANDARD	Name	Function	DMX		Default
			From	To	
14	Color Wheel 3	Color Slot			0
		Open	160	167	
		Medium Blue	168	175	
		Acquamarine	176	183	
		Pink	184	191	
		Yellow	192	199	
		Color Wheel Rotation			
		Forward rainbow - Fast to slow	200	224	
		No rotation	225	230	
		Backwards rainbow - Slow to fast	231	255	
15	Color Wheel 4	Color Linear Movement			0
		Open	0		
		Open + Full CTB	1	30	
		Full CTB	31		
		Full CTB + CTO 2200	32	61	
		CTO 2200	62		
		CTO 2200 + CTO 2700	63	92	
		CTO 2700	93		
		CTO 2700 + CTO 3000	94	123	
		CTO 3000	124	159	
		Color Slot			
		Open	160	167	
		Full CTB	168	175	
		CTO 2200	176	183	
		CTO 2700	184	191	
		CTO 3000	192	199	
		Color Wheel Rotation			
		Forward rainbow - Fast to slow	200	224	
		No rotation	225	230	
		Backwards rainbow - Slow to fast	231	255	

Channel STANDARD	Name	Function	DMX		Default			
			From	To				
16	Rot Gobo Wheel	Open	0	11	0			
		Gobo Indexing (set next ch)						
		GOBO 1	12	19				
		GOBO 2	20	27				
		GOBO 3	28	35				
		GOBO 4	36	43				
		GOBO 5	44	51				
		GOBO 6	52	59				
		GOBO 7	60	67				
		Gobo Rotation (set next ch)						
		GOBO 1	68	75				
		GOBO 2	76	83				
		GOBO 3	84	91				
		GOBO 4	92	99				
		GOBO 5	100	107				
		GOBO 6	108	115				
		GOBO 7	116	123				
		Gobo shaking - Slow to fast (Index on next channel)						
		GOBO 1	124	133				
		GOBO 2	134	143				
		GOBO 3	144	153				
		GOBO 4	154	163				
		GOBO 5	164	173				
		GOBO 6	174	183				
		GOBO 7	184	193				
		Gobo Wheel Rotation						
		Forward rotation - Fast to slow	194	223				
		No rotation	224	225				
		Backwards rotation - Slow to fast	226	255				
		17	Gobo Rot	Gobo Indexing			0	
				Gobo index 0° - 360°		0		255
				Gobo Rotation				
No rotation	0			0				
Forward gobo rotation - Fast to slow	1			127				
No rotation	128			128				
Backwards gobo rotation - Slow to fast	129			255				
18	Gobo Rot Fine	Fine indexing/rotation	0	255	0			

Channel STANDARD	Name	Function	DMX		Default
			From	To	
19	Prism 1 Circular	Open	0	29	0
		Prism Indexing (set next ch)	30	59	
		Prism Rotation (set next ch)	60	89	
		Reserved	90	255	
20	Prism 1 Index/Rotation	Prism Indexing			0
		Prism Indexing	0	255	
		Prism Rotation			
		Prism No Rotation	0	0	
		Prism forward rotation fast to slow	1	127	
		Prism No Rotation	128	128	
		Prism backwards rotation slow to fast	129	255	
21	Prism 2 Linear	Open	0	29	0
		Prism Indexing (set next ch)	30	59	
		Prism Rotation (set next ch)	60	89	
		Reserved	90	255	
22	Prism 2 Index/Rotation	Prism Indexing			0
		Prism Indexing	0	255	
		Prism Rotation			
		Prism No Rotation	0	0	
		Prism forward rotation fast to slow	1	127	
		Prism No Rotation	128	128	
		Prism backwards rotation slow to fast	129	255	
23	Light Frost	Linear insertion 0 – 100%	0	255	0
24	Zoom	Zoom from min to max beam angle	0	255	128
25	Zoom Fine	Fine zooming	0	255	0
26	Focus	Focus adjustment	0	255	128
27	Focus Fine	Fine focusing	0	255	0
28	Animation Insertion	Linear insertion from 0% to 100%	0	255	0
29	Animation Rotation	Indexing	0	127	0
		Forward rotation - Fast to slow	128	190	
		Stop	191	192	
		Backwards rotation - Slow to fast	193	255	
30	Blade 1 position	Movement from outward to inward	0	255	0
31	Blade 1 swivelling	Swivelling from -30° towards 0°	0	127	128
		0 degrees	128	128	
		Swivelling from 0° towards +30°	129	255	

Channel STANDARD	Name	Function	DMX		Default
			From	To	
32	Blade 2 position	Movement from outward to inward	0	255	0
33	Blade 2 swivelling	Swivelling from -30° towards 0°	0	127	128
		0 degrees	128	128	
		Swivelling from 0° towards +30°	129	255	
34	Blade 3 position	Movement from outward to inward	0	255	0
35	Blade 3 swivelling	Swivelling from -30° towards 0°	0	127	128
		0 degrees	128	128	
		Swivelling from 0° towards +30°	129	255	
36	Blade 4 position	Movement from outward to inward	0	255	0
37	Blade 4 swivelling	Swivelling from -30° towards 0°	0	127	128
		0 degrees	128	128	
		Swivelling from 0° towards +30°	129	255	
38	Frame rotation	-45 degrees to 0 degrees	0	126	128
		0 degrees	127	128	
		0 degrees to +45 degrees	129	255	
39	Frame macros	No Function	0	3	0
		Macro 1	4	10	
		Macro 2	11	17	
		Macro 3	18	24	
		Macro 4	25	31	
		Macro 5	32	38	
		Macro 6	39	45	
		Macro 7	46	52	
		Macro 8	53	59	
		Macro 9	60	66	
		Macro 10	67	73	
		Macro 11	74	80	
		Macro 12	81	87	
		Macro 13	88	94	
		Macro 14	95	101	
		Macro 15	102	108	
		Macro 16	109	115	
		Macro 17	116	122	
		Macro 18	123	129	
		Macro 19	130	136	
Macro 20	137	143			

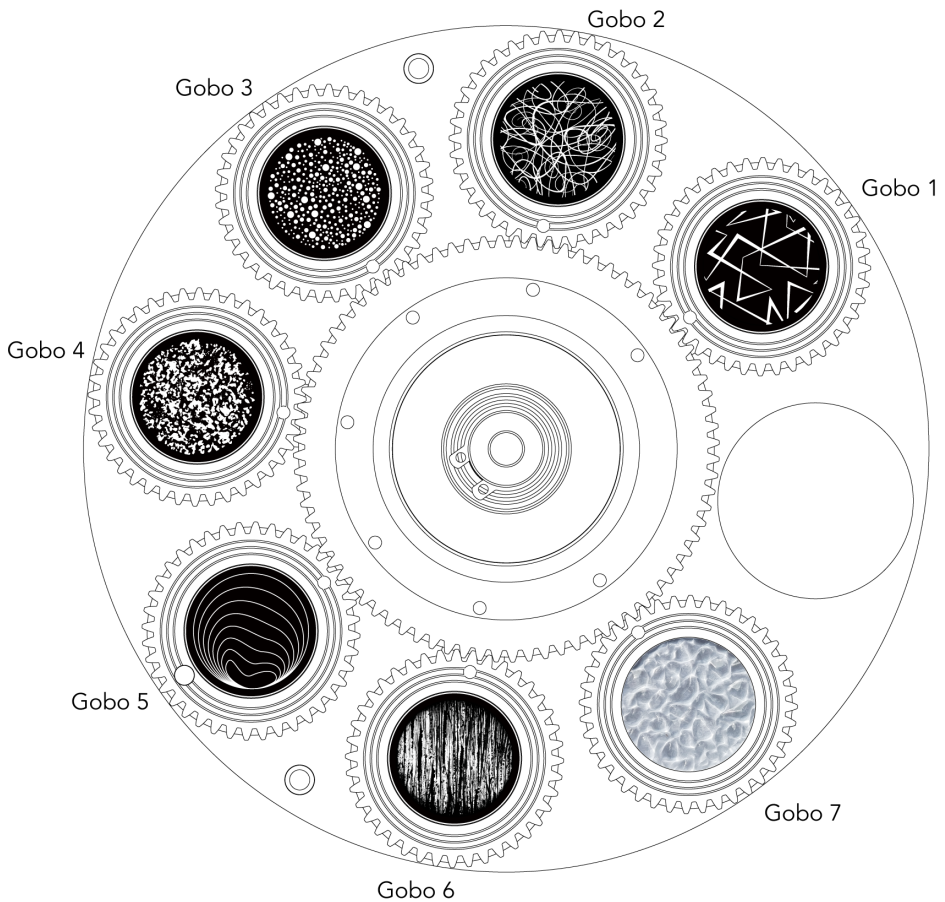
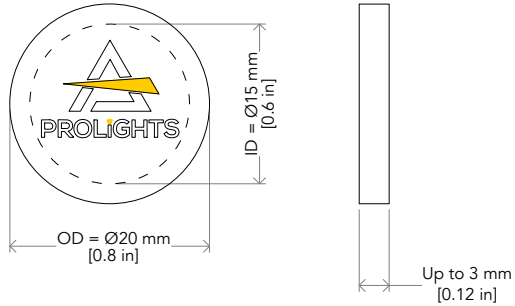
Channel STANDARD	Name	Function	DMX		Default
			From	To	
39	Frame macros	Macro 21	144	150	0
		Macro 22	151	157	
		Macro 23	158	164	
		Macro 24	165	171	
		Macro 25	172	178	
		Macro 26	179	185	
		Macro 27	186	192	
		Macro 28	193	199	
		Macro 29	200	206	
		Macro 30	207	213	
		Macro 31	214	220	
		Macro 32	221	227	
		Macro 33	228	234	
		Macro 34	235	241	
		Macro 35	242	248	
		Macro 36	249	255	
40	Frame macros speed	Lineary from 0 to 100%	0	255	0
41	Focus Tracking	OFF	8	49	0
		ON - Priority GOBO WHL	50	59	
		Reserved	60	69	
		ON - Priority BLADES	70	79	
		Reserved	80	89	
		ON - Priority ANIMATION	90	99	
		ON - Priority OPEN	100	109	
		Reserved	110	255	
42	Control	NO FUNCTION/SAFE	0	1	0
		PAN REVERSE ON	2	3	
		PAN REVERSE OFF	4	5	
		TILT REVERSE ON	6	7	
		TILT REVERSE OFF	8	9	
		PAN/TILT MODE FAST	10	11	
		PAN/TILT MODE MEDIUM	12	13	
		PAN/TILT MODE SLOW	14	15	
		RESERVED	16	47	
		DISPLAY ON	48	49	
		DISPLAY 15S	50	51	
		FLIP DISPLAY ON	52	53	
		FLIP DISPLAY OFF	54	55	
		FLIP DISPLAY AUTO	56	57	

Channel STANDARD	Name	Function	DMX		Default
			From	To	
42	Control	KEY LOCK ON	58	59	0
		KEY LOCK OFF	60	61	
		FAN MODE AUTO	62	63	
		FAN MODE SILENT	64	65	
		FAN MODE HIGH	66	67	
		NO SIGNAL HOLD	68	69	
		NO SIGNAL BLACKOUT	70	71	
		STATUS LED ON	72	73	
		STATUS LED OFF	74	75	
		DIMMER CURVE LINEAR	76	77	
		DIMMER CURVE S-CURVE	78	79	
		DIMMER CURVE SQUARE LAW	80	81	
		DIMMER CURVE INVERSE SQUARE LAW	82	83	
		DIMMER SPEED AUTO	84	85	
		DIMMER SPEED FAST	86	87	
		DIMMER SPEED MEDIUM	88	89	
		DIMMER SPEED SLOW	90	91	
		LED FREQUENCY 1000HZ	92	95	
		LED FREQUENCY 2000HZ	96	97	
		LED FREQUENCY 4000HZ	98	99	
		LED FREQUENCY 6000HZ	100	101	
		LED FREQUENCY 25KHZ	102	103	
		LED FREQUENCY 50KHZ	104	105	
		INVERT ZOOM OFF	106	107	
		INVERT ZOOM ON	108	109	
		INVERT BLADES ON	110	111	
		INVERT BLADES OFF	112	113	
		RESERVED	114	199	
		RESET ALL	200	201	
		RESET PAN & TILT	202	203	
		RESET ZOOM/FOCUS	204	205	
		RESET COLORS	206	207	
RESET GOBOS/ANIMATION	208	209			
RESET EFFECTS	210	211			
RESET ALL BLADES	212	213			
RESERVED	214	251			
FACTORY DEFAULT OF CONTROL FUNCTIONS	252	253			
RESERVED	254	255			

14 - ROTATING GOBOS WHEEL

Gobo dimensions:

- \varnothing external (OD)= 20,0 mm
- \varnothing of image (ID)= 15,0 mm
- Thickness= up to 3 mm

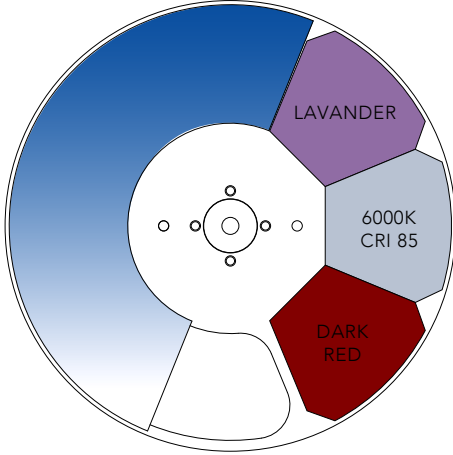


ATTENTION! Load with mirror surface toward the light source.

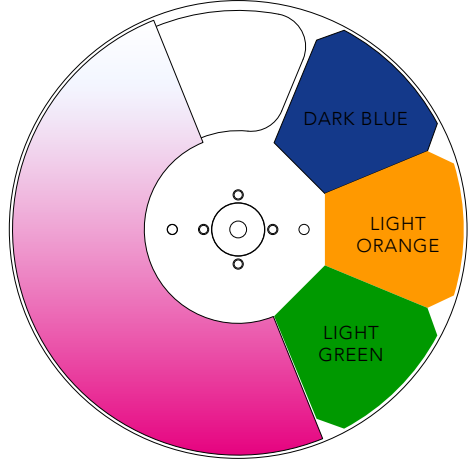
Fig. 14

15 - COLOR WHEEL

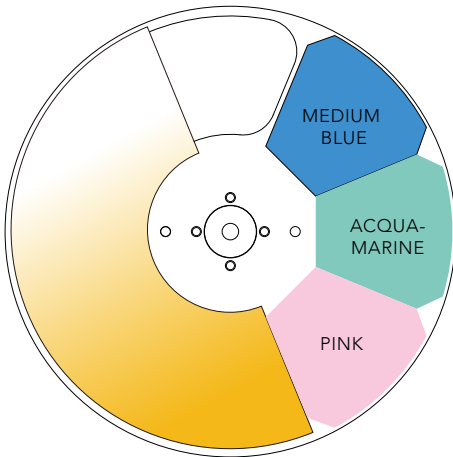
CYAN - COLOR WHEEL 1



MAGENTA - COLOR WHEEL 2



YELLOW - COLOR WHEEL 3



LINEAR CTO - COLOR WHEEL 4

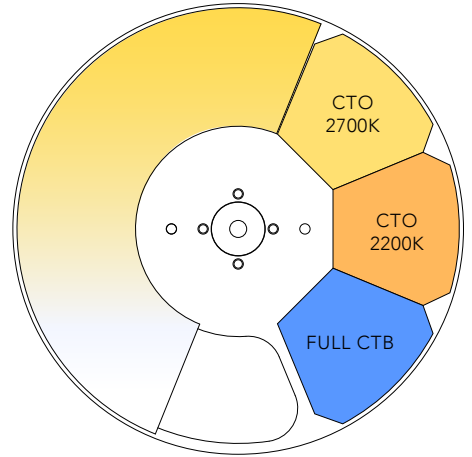


Fig. 15

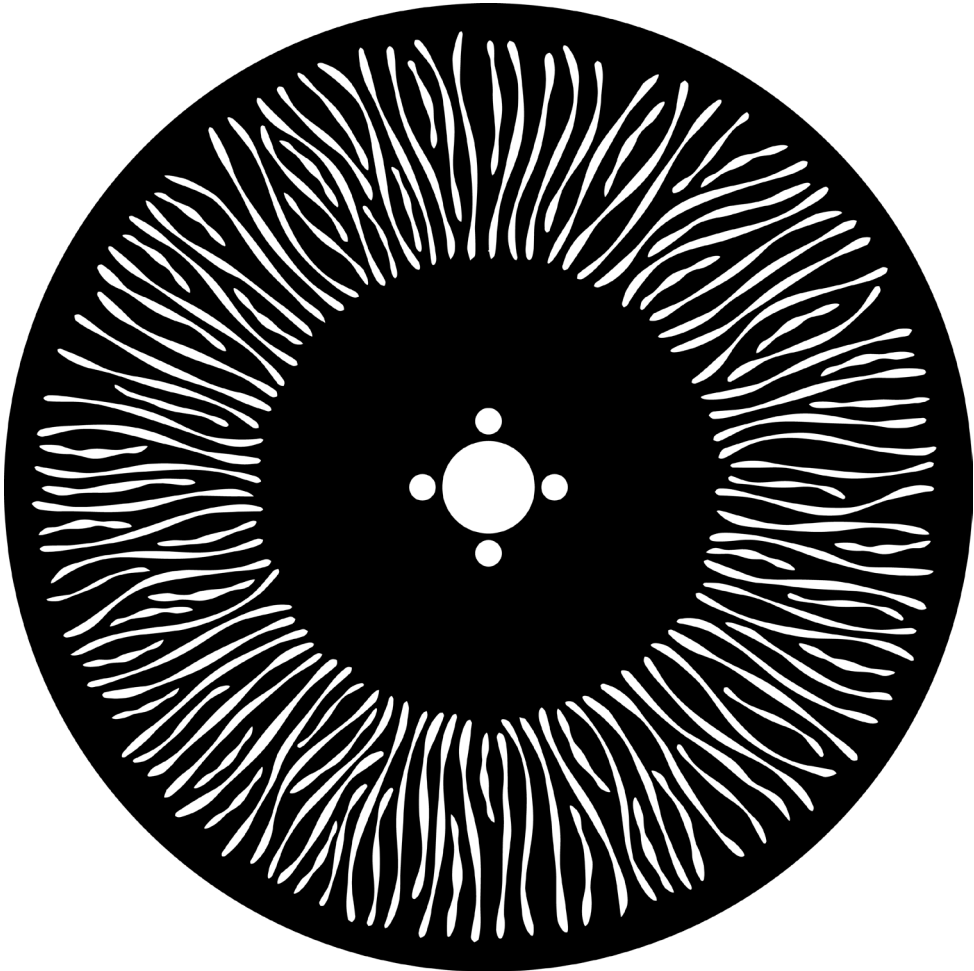


Fig. 16

17 - ERROR MESSAGES

The error is shown on the unit display. In the table below, the "ERROR SHOWED ON SCREEN" column lists the possible errors, accompanied by a possible cause ("POSSIBLE" CAUSES "column). The color of the error messages (listed in the "COLOR MESSAGES" column) is different for each board it refers to ("PCB" column).

On page 38 you can see the location of the various pcb boards with their respective error colors.

ERROR SHOWED ON SCREEN	POSSIBLE CAUSES	POSSIBLE PCB WITH ANOMALY
BUS 1U DISPLAY TX FAIL	total CAN-bus isolation of the display board from all the others	1U
1U FAN1 BASE	speed < 1000 rpm	1U
BUS 2U PAN TILT	2U card not responding	2U
2U PAN SENSOR	pan sensor/motor failure	2U
	pan driver failure	
2U PAN BLOCKED	pan lock inserted	2U
2U TILT SENSOR	tilt sensor/motor failure	2U
	tilt driver failure	
2U TILT BLOCKED	tilt lock inserted	2U
BUS 3U FAN+LED	3U card not responding	3U
3U FAN1 LED	speed < 1000 rpm	3U
3U FAN2 LED	speed < 1000 rpm	3U
3U FAN3 LED	speed < 1000 rpm	3U
3U FAN4 LED	speed < 1000 rpm	3U
BUS 4U GOBO+COLOR	4U card not responding	4U
4U DIP-SWITCH	Incorrect dip-switch setting	4U
4U COLOR 1	Color wheel 1 (cyan) sensor/motor/driver failure	4U
4U COLOR 2	Color wheel 2 (magenta) sensor/motor/driver failure	4U
4U COLOR 3	Color wheel 3 (yellow) sensor/motor/driver failure	4U
4U COLOR 4	Color wheel 4 (cto) sensor/motor/driver failure	4U
4U GOBO WHEEL	Gobo wheel sensor/motor/driver failure	4U
4U GOBO INDEX	Rotating Gobo Index Sensor/Motor/Driver Fault	4U
4U ANIMATION	Animation sensor/motor/driver failure	4U
4U FAN1 EFFECTS	speed < 1000 rpm	4U

ERROR SHOWED ON SCREEN	POSSIBLE CAUSES	POSSIBLE PCB WITH ANOMALY
5U FRAME ROTATION	sensor/motor/driver frame rotation failure	5U
5U FAN PROFILE	speed < 1000 rpm	5U
BUS 5U PROFILER	5U card not responding	5U
BUS 6U FOCUS+ZOOM	6U card not responding	6U
6U DIP-SWITCH	Incorrect dip-switch setting	6U
6U ZOOM	zoom sensor/motor/driver failure	6U
6U FOCUS	focus sensor/motor/driver failure	6U
6U FROST	frost sensor/motor/driver failure	6U
6U PRISM 4S	4-sided prism paddle sensor/motor/driver failure	6U
6U PRISM 6S	6-sided prism paddle sensor/motor/driver failure	6U
6U PRISM 4S INDEX	4-sided prism rotation sensor/motor/driver failure	6U
6U PRISM 6S INDEX	6-sided prism rotation sensor/motor/driver failure	6U
6U FAN1 DEFOG	speed < 1000 rpm	6U
DATAFLASH GLOBAL	dataflash initialization	-
DATAFLASH JEDEC	unexpected dataflash model	-
DATAFLASH WRITE	dataflash writing	-
NTC LED MODULE	ntc led module fault	-
NTC LED DRIVER	ntc fault on led driver board	-
FIRMWARE MISMATCH	at least one card has a different fw than the display card	-
MAINTENACE EXPIRED	scheduled maintenance time expired	-
WIRELESS MODULE	wireless module missing	-

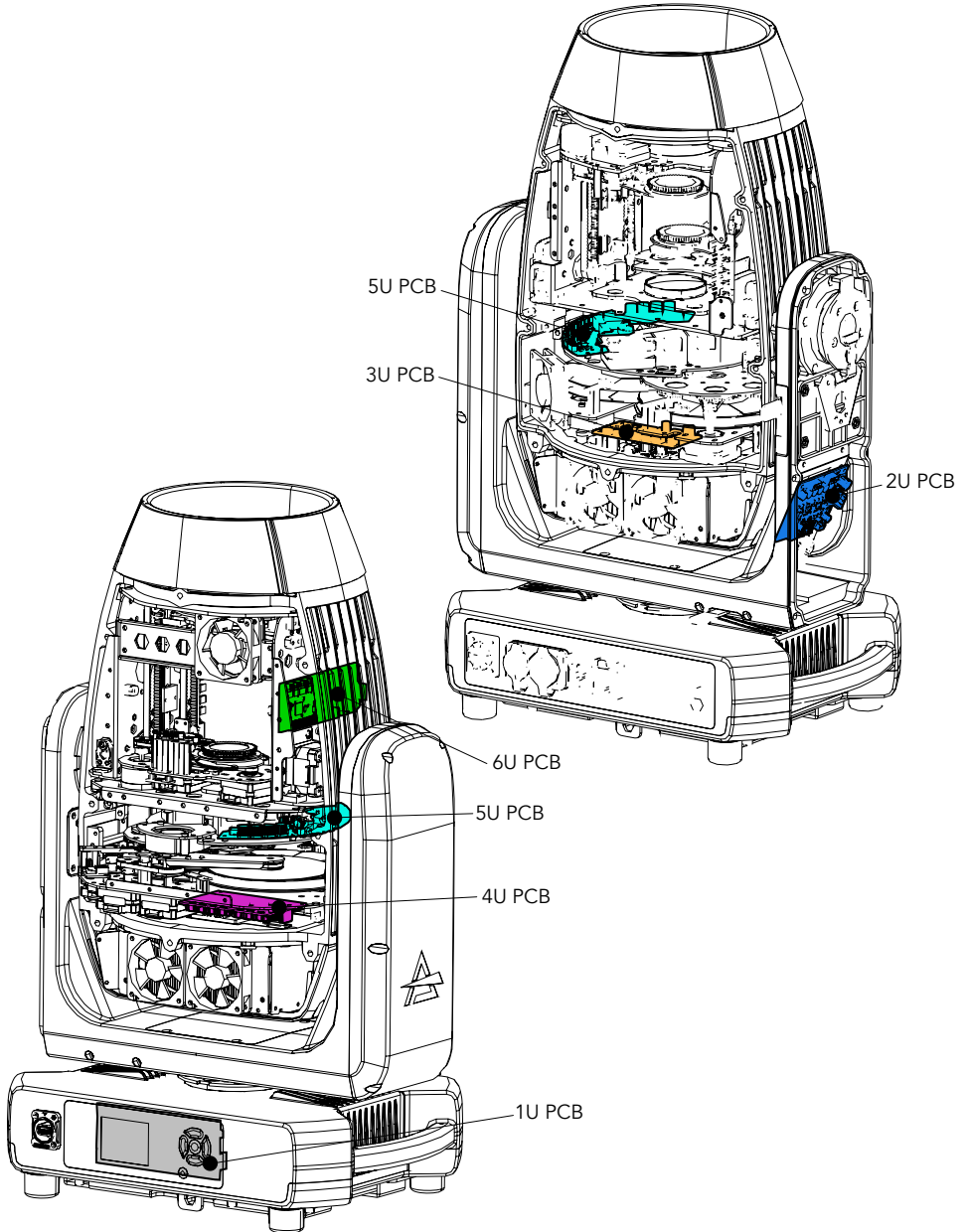
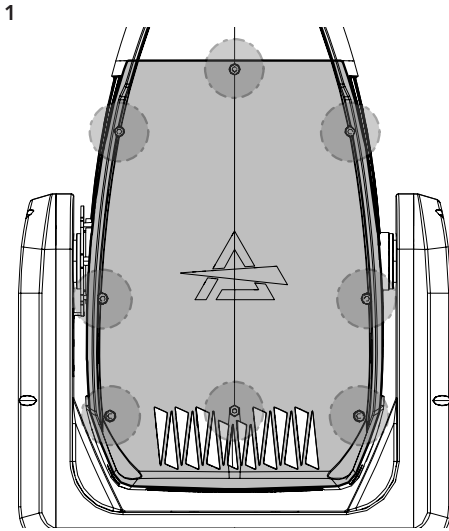


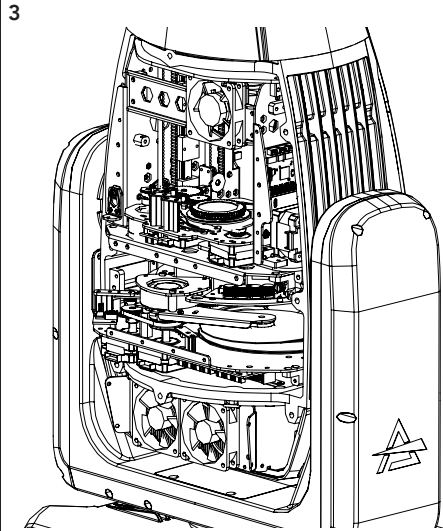
Fig. 17

18 - PERIODICAL CLEANING

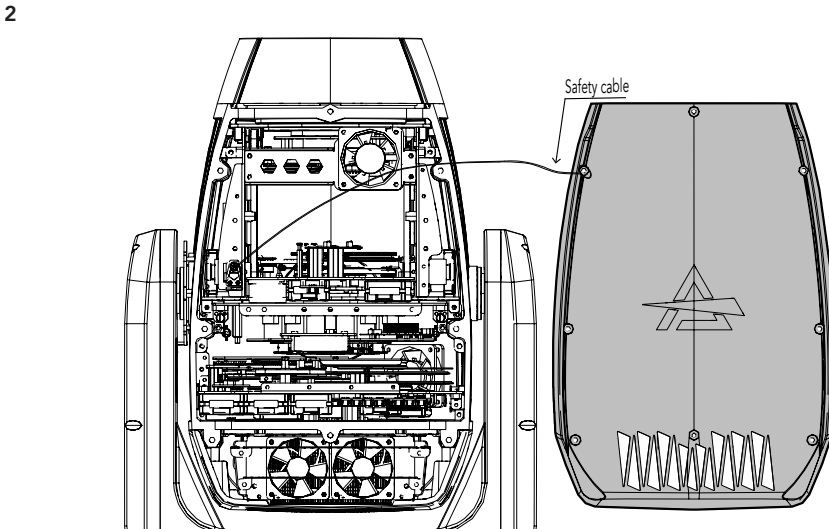
WARNING! Turn OFF power and allow approximately 20 minutes for the fixture to cool down.



Before removing rear cover, place the head in a horizontal position and engage both the PAN and TILT locks for added stability. See the "PAN AND TILT LOCK" paragraph (pag. 6). Loosen and remove the marked screws and opening the head covers (1) from both sides.



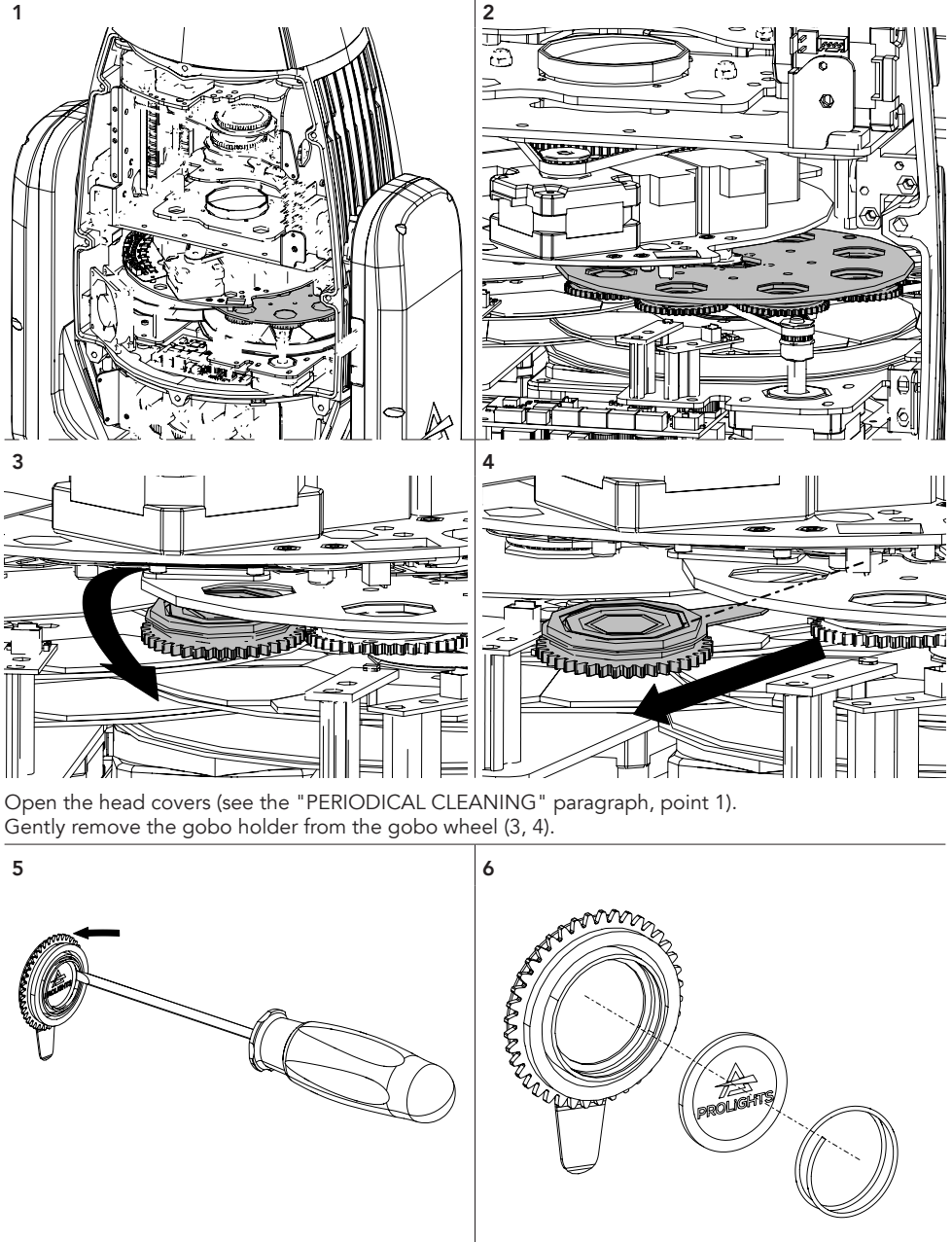
Use a soft cloth dampened with any detergent liquid for cleaning glass to remove the dirt from the reflectors, from the lenses and filters.



Unclip the safety cable on both sides (2).

Fig. 18

19 - GOBOS REPLACEMENT



Open the head covers (see the "PERIODICAL CLEANING" paragraph, point 1). Gently remove the gobo holder from the gobo wheel (3, 4).

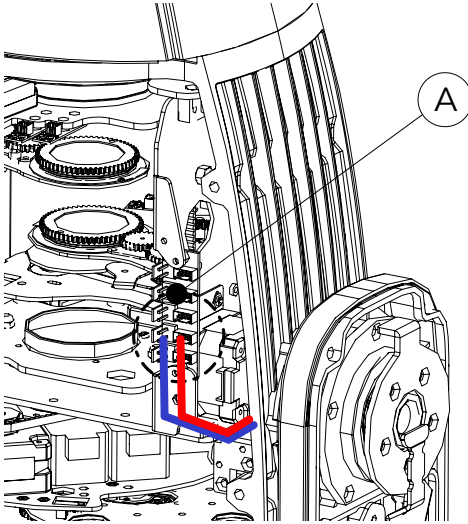
Remove the spring and the gobo (5, 6).

NOTE: the mirrored part of the gobo must be placed in the direction of the LED Source

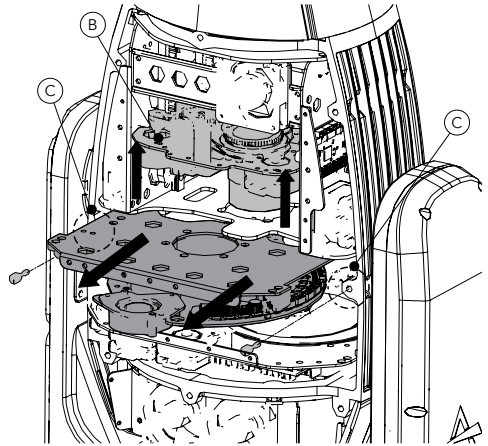
Fig. 19

20 - MODULE REMOVAL (ANIMATION, COLOR, GOBOS WHEEL)

1.1 PROFILE MODULE



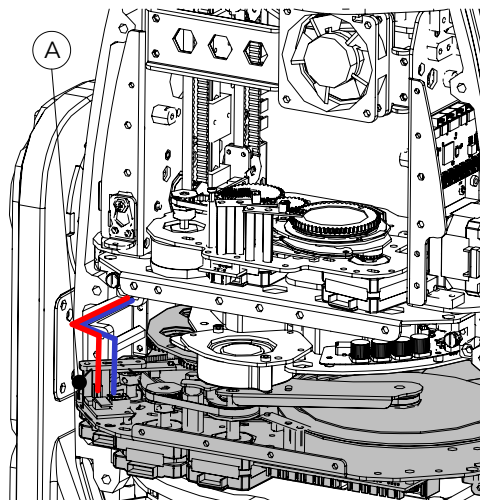
1.2



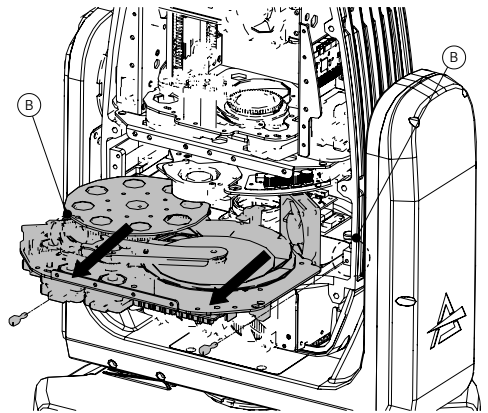
To remove the Profile module, open the head covers (see section "PERIODIC CLEANING") and proceed as follows:

- Disconnect the two connectors, power and serial bus plugs (marked A in drawing 1.1);
- Raise the zoom and focus plates (marked B in drawing 1.2);
- Unscrew the two screws marked in the front view (marked C in drawing 1.2);
- Pull out the plate with Profile module (drawing 1.2);

2.1 GOBOS + ANIMATION + CMY MODULE



2.2



To remove the Gobos + Animation wheel module:

- Disconnect the two connectors, power and serial bus plugs (marked A in drawing 2.1);
- Unscrew the two screws marked in the front view (marked B in drawing 2.2);
- Remove the plate with gobo wheels pulling it out (drawing 2.2).

Fig. 20

21 - MAINTENANCE

MAINTENANCE AND CLEANING THE PRODUCT

WARNING: Disconnect from the mains before starting any maintenance work

It is recommended to clean the front at regular intervals, from impurities caused by dust, smoke, or other particles to ensure that the light is radiated at maximum brightness.

- For cleaning, disconnect the main plug from the socket. Use a soft, clean cloth moistened with a mild detergent. Then carefully wipe the part dry. For cleaning other housing parts use only a soft, clean cloth. Never use a liquid, it might penetrate the unit and cause damage to it.
- The user must clean the product periodically to maintain optimum performance and cooling. The user may also upload firmware (product software) to the fixture via the DMX signal input port or USB port using firmware and instructions from PROLIGHTS.
- The frequency of such maintenance operations is to be performed according to various factors, such as the amount of the use and the condition of the installation environment (air humidity, presence of dust, salinity, etc.). It is recommended that the product is subject to annual service by a qualified technician for special maintenance involving at least the following procedures:
 - General cleaning of internal parts.
 - For all the parts subject to friction, using lubricants specifically supplied by PROLIGHTS.
 - General visual check of the internal components, cabling, mechanical parts, etc.
 - Electrical, photometric and functional checks; eventual repairs.
 - Cleaning the lenses. Only use neutral soap and water to clean the lenses, then dry it carefully with a soft, non-abrasive cloth.

WARNING: the use of alcohol or any other detergent could damage the lenses.

- **Only for IP65/IP66 projectors:** It is recommended to verify IP grade using IPTESTBOX every time the bodies are removed for maintenance, this tool helps to double check the correct assembling of the covers with a check of the IP grade of the fixture.
- All other service operations on the product must be carried out by PROLIGHTS, its approved service agents or trained and qualified personnel.
- It is PROLIGHTS policy to apply the strictest possible calibration procedures and use the best quality materials available to ensure optimum performance and the longest possible component lifetimes. However, optical components are subject to wear and tear over the life of the product, resulting in gradual changes in colours over many thousands of hours of use. The extent of wear and tear depends heavily on operating conditions and environment, so it is impossible to specify precisely whether and to what extent performance will be affected. However, you may eventually need to replace optical components if their characteristics are affected by wear and tear after an extended period of use and if you require fixtures to perform within very precise optical and colour parameters.
- Do not apply filters, lenses or other materials on lenses or other optical components. Use only accessories approved by PROLIGHTS.

VISUAL CHECK OF PRODUCT HOUSING

- The parts of the product cover/housing should be checked for eventual damages and breaking start at least every two months. In addition, especially the parts of the front lens holder have to be checked mechanically (by means of movement by the part) if it is firmly fastened to the fixture. If hint of a crack is found on some plastic part, do not use the product until the damaged part will be replaced.
- Cracks or another damages of the cover/housing parts can be caused by the product transportation or manipulation and also ageing process may influence materials.
- This checking is necessary for both fixed installations and preparing product for renting. Any free moving parts inside of the product, cracked cover/housing or any part of front lens not sitting properly in place need to be immediately replaced.

RESETTING THE MAINTENANCE TIME MESSAGE

When the machine shows the message "MAINTENANCE TIME" it means that the fixture needs an overall check. once you have checked and cleaned the whole machine to reset the message follow the steps below:

- enter the menu, go to INFORMATIONS and press Enter;
- go to FIXTURE TIME and press Enter;
- finally go to MAINTENANCE TIME and press Enter;
- Press enter again and enter the password 050 to reset the message.

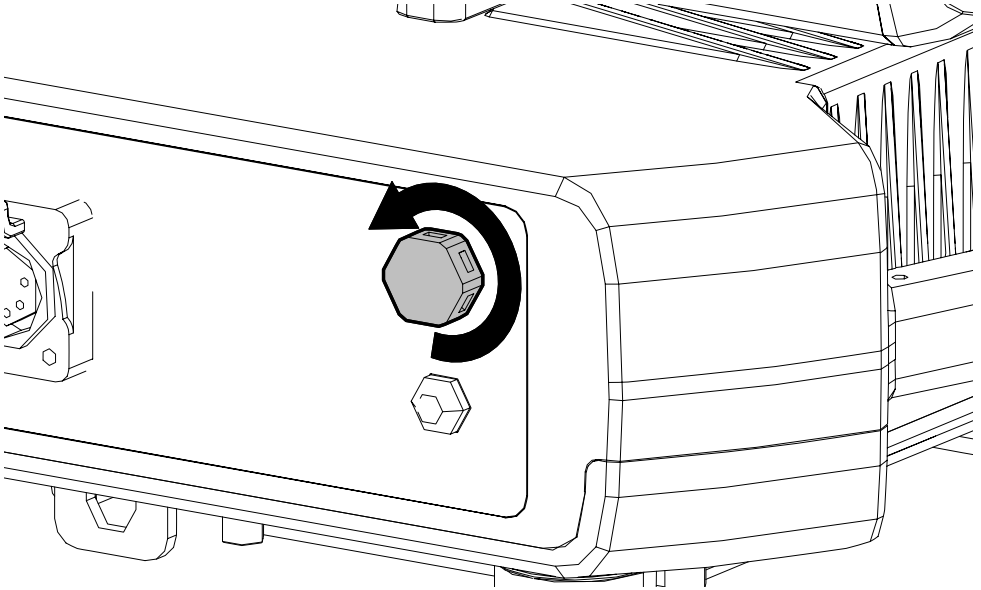
Problems	Possible causes	Checks and remedies
Product doesn't power ON	• No power to the product	• Check that power is switched ON and cables are plugged in.
	• Fuse blown or internal fault	• Check if the Fuse is intact and eventually replace it if necessary. • Contact the PROLIGHTS Service or authorized service partner. Do not remove parts and/or covers, or carry out any repairs or service that are not described in this Safety and User Manual unless you have both authorization from PROLIGHTS and the service documentation.
Product reset correctly but does not respond correctly to the controller.	• Bad signal connection	• Inspect connections and cables. Fix eventual bad connections. Repair or replace damaged cables.
	• Signal connection not terminated	• Insert DMX termination plug in signal output socket of the last product on the signal line.
	• Incorrect addressing of the product	• Check the product address and control settings
	• One of the product is defective and is corrupting the signal transmission on the signal line	• Unplug the XLR in and out connectors and connect them directly together to bypass one product at a time until normal operation is regained. Once found the error, have that fixture serviced by a qualified technician.
Timeout error after fixture reset.	• One or more hardware components requires mechanical adjustments	• Check product stored error messages for more information. Contact PROLIGHTS Service or an authorized service partner.
Mechanical effect loses position	• Mechanical hardware require cleaning, adjustment or lubrication	• Check product stored error messages for more information. Contact PROLIGHTS Service or an authorized service partner.
Light output turn OFF Intermittently	• Fixture is too hot	• Check product stored error messages. • Allow product to cool. • Clean the product and airflow filters. • Reduce ambient temperature.
	• Hardware failure (temperature sensor, fans, Light source...)	• Check product stored error messages for more information. Contact. PROLIGHTS Service or an authorized service partner.
General low light intensity	• Dirty lens assembly • Dirty or damaged filters	• Clean the fixture regularly. • Install lens assembly properly.

Contact an authorized service center in case of technical problems or not reported in the table can not be resolved by the procedure given in the table.

22 - TEST OF IP65 RATING

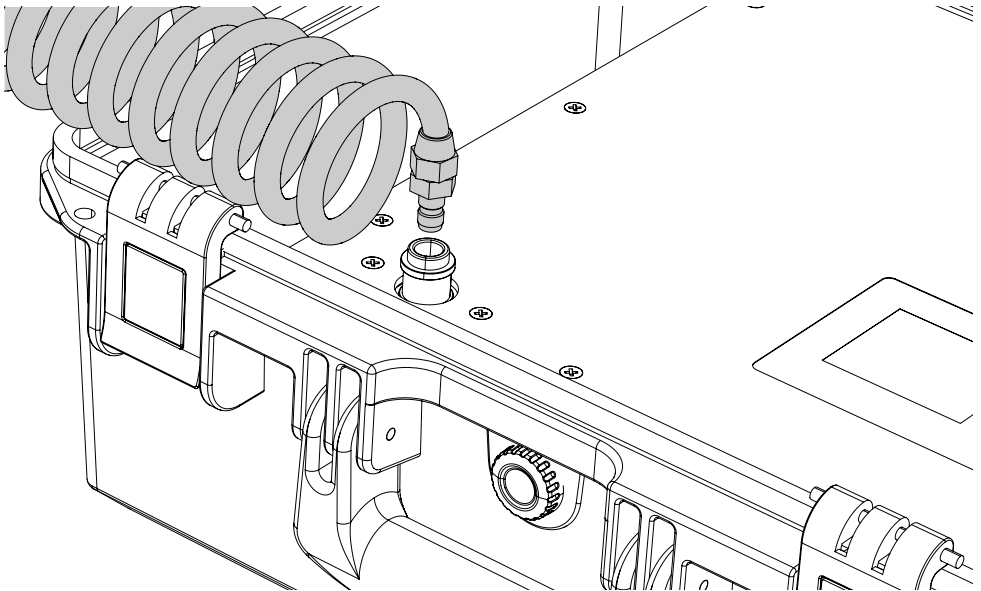
It is recommended to verify IP grade using IPTESTBOX every time the bodies are removed for maintenance.

1



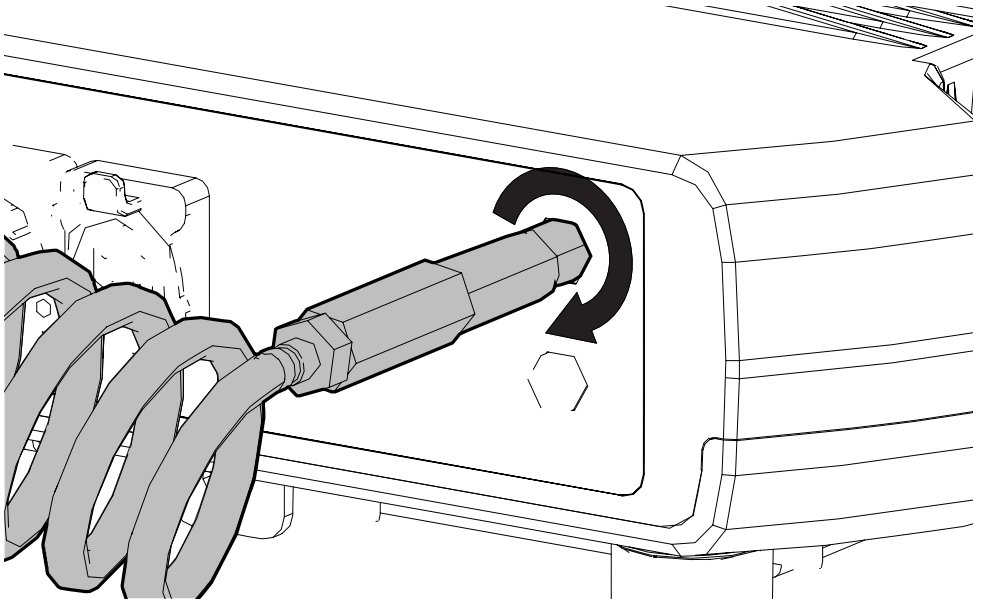
Remove the gore valve from the connections panel.

2



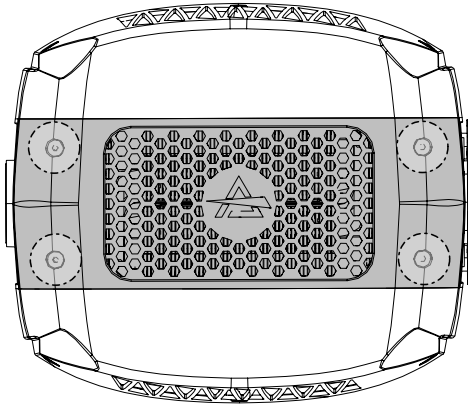
Connect the air hose to the IPTESTBOX by inserting the quick-connect fitting into the coupler.

3

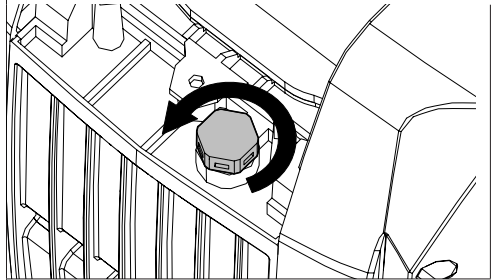


Insert the threaded end into the threaded valve hole socket.

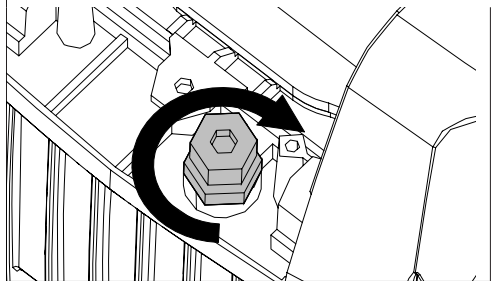
4



5




6



Loosen the four screws (4) and remove the rear cover. Remove the gore valve on the rear connection heatsilk module (5) and insert the hex socket cap head included in the IPTESTBOX box (6). For the operating procedure using the instrument, refer to the IPTESTBOX user manual.

Fig. 21



PROLIGHTS is a trademark of
MUSIC & LIGHTS S.r.l.
musiclights.it

Via A.Olivetti snc
04026 - Minturno (LT) ITALY
Tel: +39 0771 72190

prolights.it
support@prolights.it